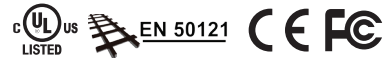


# ICS-G7748A/G7750A/G7752A/ G7848A/G7850A/G7852A Series

**48G/48G+2 10GbE/48G+4 10GbE-port Layer 2/Layer 3 full Gigabit modular managed Ethernet switches**



- > Up to 48 Gigabit Ethernet ports plus 4 10G Ethernet ports
- > Up to 52 optical fiber connections (SFP slots)
- > Up to 48 PoE+ ports with external power supply (with IM-G7000A-4PoE module)
- > Fanless, -10 to 60°C operating temperature range
- > Modular design for maximum flexibility and hassle-free future expansion
- > Hot swap interface and power modules for continuous operation
- > Turbo Ring and Turbo Chain (recovery time < 50 ms @ 250 switches), RSTP/STP, and MSTP for network redundancy
- > Isolated redundant power inputs with universal 110/220 VAC power supply range
- > Supports MXstudio for easy, visualized industrial network management
- > V-ON™ ensures millisecond-level multicast data and video network recovery



## Introduction

Process automation and transportation automation applications combine data, voice, and video, and consequently require high performance and high reliability. The ICS-G7748A/G7750A/G7752A/G7848A/G7850A/G7852A series full Gigabit backbone switches' modular design makes network planning easy, and allows greater flexibility by letting you install up to 48 Gigabit Ethernet ports plus 4 10 Gigabit Ethernet ports. The ICS-G7848A/G7850A/G7852A series also supports Layer 3 routing functionality to facilitate the deployment of applications across networks, making them ideal for

large scale industrial networks. The ICS-G7748A/G7750A/G7752A/G7848A/G7850A/G7852A's full Gigabit capability increases bandwidth to provide high performance and the ability to quickly transfer large amounts of video, voice, and data across a network. The switches support the Turbo Ring, Turbo Chain, and RSTP/STP redundancy protocols, and are fanless and come with an isolated redundant power supply to increase system reliability and the availability of your network backbone.

## Features and Benefits

- Layer 3 switching functionality to move data and information across networks (ICS-G7800A series)
- Advanced PoE management functions: PoE output setting, PD failure check, PoE scheduling, and PoE diagnostics (with IM-G7000A-4PoE module)
- Command line interface (CLI) for quickly configuring major managed functions
- Supports advanced VLAN capability with Q-in-Q tagging
- Software based IEEE 1588 PTPv2 (Precision Time Protocol) for time synchronization of networks
- DHCP Option 82 for IP address assignment with different policies
- Support EtherNet/IP and Modbus/TCP protocols for device management and monitoring
- Compatible with EtherNet/IP protocols for transparent data transmission
- Redundant Gigabit Turbo Ring and Turbo Chain (recovery time < 50 ms @ 250 switches), RSTP/STP, and MSTP for network redundancy
- IGMP snooping and GMRP for filtering multicast traffic
- IEEE 802.1Q VLAN and GVRP protocol to ease network planning
- QoS (IEEE 802.1p/1Q and TOS/DiffServ) to increase determinism
- Port Trunking for optimum bandwidth utilization
- TACACS+, SNMPv3, IEEE 802.1X, HTTPS, and SSH to enhance network security
- Access control lists (ACL) increase the flexibility and security of network management (ICS-G7800A series)
- SNMPv1/v2c/v3 for different levels of network management
- RMON for efficient network monitoring and proactive capability
- Bandwidth management prevents unpredictable network status
- Lock port function for blocking unauthorized access based on MAC address
- Port mirroring for online debugging
- Automatic warning by exception through e-mail, relay output
- Digital inputs for integrating sensors and alarms with IP networks
- Redundant, dual AC power inputs

## Specifications

### Technology

#### Standards:

IEEE 802.3 for 10BaseT  
 IEEE 802.3u for 100BaseT(X) and 100BaseFX  
 IEEE 802.3ab for 1000BaseT(X)  
 IEEE 802.3z for 1000BaseSX/LX/LHX/ZX  
 IEEE 802.3ae for 10 Gigabit Ethernet  
 IEEE 802.3af/at for PoE/PoE+ output  
 IEEE 802.3x for Flow Control  
 IEEE 802.1D-2004 for Spanning Tree Protocol  
 IEEE 802.1w for Rapid Spanning Tree Protocol  
 IEEE 802.1s for Multiple Spanning Tree Protocol  
 IEEE 802.1Q for VLAN Tagging  
 IEEE 802.1p for Class of Service  
 IEEE 802.1X for Authentication  
 IEEE 802.3ad for Port Trunk with LACP

### Software Features

**Management:** IPv4, SNMP v1/v2c/v3, LLDP, Port Mirror, DDM, RMON, DHCP Server/Client, DHCP Option 66/67/82, BootP, TFTP, SMTP, RARP, Telnet, Syslog, SNMP Inform, Flow Control, Back Pressure Flow Control

**Filter:** 802.1Q VLAN, Q-in-Q VLAN, GVRP, IGMP v1/v2/v3, GMRP

**Redundancy Protocols:** STP, RSTP, MSTP, Turbo Ring v1/v2, Turbo Chain, Link Aggregation

**Security:** RADIUS, TACACS+, SSL, SSH, Broadcast Storm Protection, Port Lock, Access Control Lists (ICS-G7800A series only)

**Unicast Routing:** Static Routing, RIPV1/V2, OSPF (ICS-G7800A series)

**Multicast Routing:** DVMRP, PIM-DM, PIM-SM, PIM-SSM (ICS-G7800A series)

**Time Management:** SNTP, NTP Server/Client, IEEE 1588v2 PTP (software-based)

**Industrial Protocols:** EtherNet/IP, Modbus/TCP

**MIB:** MIB-II, Ethernet-like MIB, P-BRIDGE MIB, Q-BRIDGE MIB, Bridge MIB, RSTP MIB, RMON MIB Groups 1, 2, 3, 9

**Routing Redundancy:** VRRP (ICS-G7800A series)

### Switch Properties

**Priority Queues:** 8

**Max. Number of VLANs:** 256

**VLAN ID Range:** VID 1 to 4094

**IGMP Groups:** 4096

**MAC Table Size:** 16 K

**Packet Buffer Size:** 12 Mbit

**DRAM Size:** 128 MB

**Flash Size:** 16 MB

**Jumbo Frame Size:** 9.6 KB

### Interface

**Gigabit Ethernet:** 12 slots for 4-port interface modules

- 10/100/1000BaseT(X), or
- PoE+ 10/100/1000BaseT(X), or
- 100/1000BaseSFP slots

**Note:** See the IM-G7000A datasheet for Gigabit Ethernet module product information.

**10 Gigabit Ethernet:** 2 or 4 10GbE SFP+ slots (ICS-G7750A/G7850A and ICS-G7752A/G7852A only)

**Console Port:** USB-serial console (Type B connector)

**Storage Port:** USB storage (Type A connector for ABC-02-USB)

**Alarm Contact:** 1 relay output with current carrying capacity of 2 A @ 30 VDC

**Digital Inputs:** 1 input with the same ground, but electrically isolated from the electronics.

- +13 to +30 V for state "1"
- -30 to +1 V for state "0"
- Max. input current: 8 mA

### Power Requirements

**Input Voltage:** 110/220 VAC

**Operating Voltage:** 85 to 264 VAC

**Input Current:**

ICS-G7748A/G7848A: Max. 0.87/0.51 A @ 110/220 VAC

ICS-G7750A/G7850A: Max. 0.94/0.55 A @ 110/220 VAC

ICS-G7752A/G7852A: Max. 1.01/0.58 A @ 110/220 VAC

**Overload Current Protection:** Present

**Reverse Polarity Protection:** Present

### Physical Characteristics

**IP Rating:** IP30 protection

**Dimensions:** 440 x 176 x 523.8 mm (17.32 x 6.93 x 20.62 in)

**Weight:** 12.9 kg (28.5 lb)

**Installation:** 19-inch rack mounting

### Environmental Limits

**Operating Temperature:** -10 to 60°C (14 to 140°F)

**Storage Temperature:** -40 to 85°C (-40 to 185°F)

**Ambient Relative Humidity:** 5 to 95% (non-condensing)

### Standards and Certifications

**Safety:** UL 60950-1, EN 60950-1

**EMC:** EN 55022/24

**EMI:** CISPR 22, FCC Part 15B Class A

**EMS:**

IEC 61000-4-2 ESD: Contact: 6 kV; Air: 8 kV

IEC 61000-4-3 RS: 80 MHz to 1 GHz: 20 V/m

IEC 61000-4-4 EFT: Power: 4 kV; Signal: 4 kV

IEC 61000-4-5 Surge: Power: 2 kV; Signal: 2 kV

IEC 61000-4-6 CS: Signal: 10 V

IEC 61000-4-8

**Rail Traffic:** EN 50121-4

**Shock:** IEC 60068-2-27

**Freefall:** IEC 60068-2-32

**Vibration:** IEC 60068-2-6

**Note:** Please check Moxa's website for the most up-to-date certification status.

### MTBF (mean time between failures)

**Time:**

ICS-G7748A/G7848A: 314,973 hrs

ICS-G7750A/G7850A: 282,329 hrs

ICS-G7752A/G7852A: 274,488 hrs

**Standard:** Telcordia (Bellcore), GB

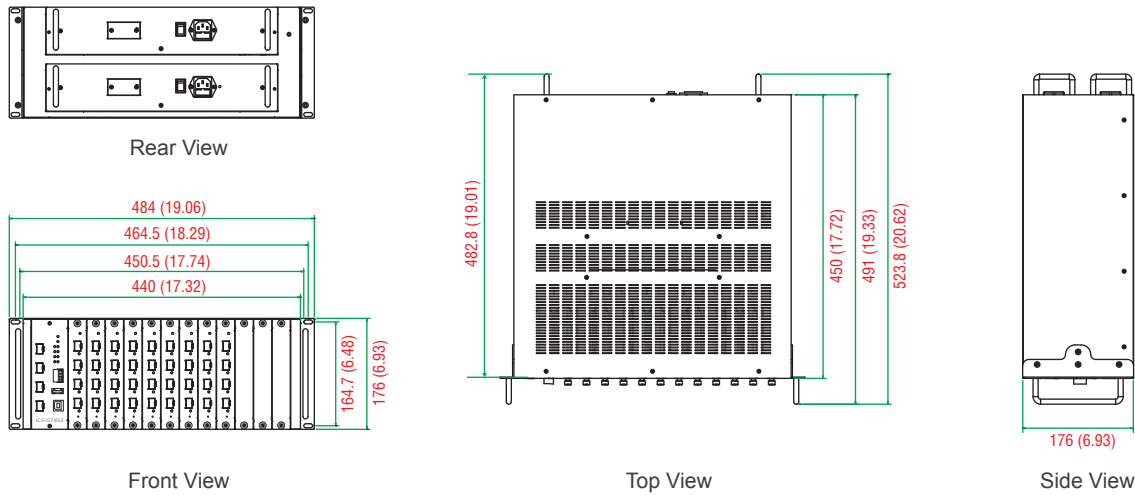
### Warranty

**Warranty Period:** 5 years

**Details:** See [www.moxa.com/warranty](http://www.moxa.com/warranty)

## Dimensions

Unit: mm (inch)



## Ordering Information

Step 1: Select Ethernet switch system

Step 2: Select interface modules

ICS-G7748A/G7750A/G7752A/G7848A/  
G7850A/G7852A with power supply



IM-G7000A  
(Gigabit Ethernet)

Note: The ICS-G7748A/G7750A/G7752A/G7848A/G7850A/G7852A Ethernet switch system is delivered without interface modules. See the IM-G7000A datasheet to determine which interface modules are suitable for your application. See the SFP-10G, SFP-1G, and SFP-1FE datasheets for SFP module product information.

## Available Models

| Available Models  | Port Interface      |                  |                     | Power Supply            |                         |
|---|---------------------|------------------|---------------------|-------------------------|-------------------------|
|   | Gigabit Ethernet    |                  | 10 Gigabit Ethernet | Isolated Power Supply 1 | Isolated Power Supply 2 |
|   | 10/100/1000BaseT(X) | 100/1000BaseSFP* | 10GbE SFP+*         | HV: 85 to 264 VAC       | HV: 85 to 264 VAC       |
| <b>ICS-G7748A/G7750A/G7752A Series Layer 2 Switches</b> |                     |                  |                     |                         |                         |
| ICS-G7748A-HV-HV  | up to 48            | up to 48         | –                   | 1                       | 1                       |
| ICS-G7750A-2XG-HV-HV                                    | up to 48            | up to 48         | 2                   | 1                       | 1                       |
| ICS-G7752A-4XG-HV-HV                                    | up to 48            | up to 48         | 4                   | 1                       | 1                       |
| <b>ICS-G7848A/G7850A/G7852A Series Layer 3 Switches</b> |                     |                  |                     |                         |                         |
| ICS-G7848A-HV-HV  | up to 48            | up to 48         | –                   | 1                       | 1                       |
| ICS-G7850A-2XG-HV-HV                                    | up to 48            | up to 48         | 2                   | 1                       | 1                       |
| ICS-G7852A-4XG-HV-HV                                    | up to 48            | up to 48         | 4                   | 1                       | 1                       |

Note: The ICS-G7748A/G7750A/G7752A/G7848A/G7850A/G7852A series supports 10GbE SFP+ and 100/1000BaseSFP slots. See the SFP-10G, SFP-1G, and SFP-1FE datasheets for SFP module product information.

## Optional Accessories (can be purchased separately)

**MXview:** Moxa industrial network management software with 50, 100, 250, 500, 1000, or 2000 nodes

**EDS-SNMP OPC Server Pro:** OPC server software that works with all SNMP devices

**ABC-02-USB:** Configuration backup and restoration tool for managed Ethernet switches, 0 to 60°C operating temperature

**Power Cords:** See Appendix A for details

## Package Checklist

- ICS-G7748A/G7750A/G7752A/G7848A/G7850A/G7852A switch
- 12 interface cover plates
- USB cable (Type A male to Type B male)
- 2 power cords (US type x 1, EU type x 1)
- Protective caps for unused ports
- 2 rackmount ears
- Documentation and software CD
- Hardware installation guide (printed)
- Warranty card

# IM-G7000A Series

**4G-port Gigabit Ethernet interface modules for ICS-G7748A/G7750A/G7752A/G7848A/G7850A/G7852A series modular managed Ethernet switches**

## Specifications

### Gigabit Ethernet Interface Modules, IM-G7000A Series



IM-G7000A-4GTX



IM-G7000A-4GSFP



IM-G7000A-4PoE

#### Interface

**RJ45 Ports:** 10/100/1000BaseT(X) auto negotiation speed, Full/Half duplex mode, and auto MDI/MDI-X connection

**Fiber Ports:** 100/1000BaseSFP slot

**LED Indicators:** STAT, 10/100/1000 for TP port, 100/1000 for fiber port

**Hot Swap Button:** Push this button prior to swapping IM-G7000A modules

**PoE+ Ports:** 10/100/1000BaseT(X) auto negotiation speed, compliant with IEEE 802.3af/at high power mode up to 36 W

#### Power Requirements

**Power Consumption:**

IM-G7000A-4GTX: 3.47 W

IM-G7000A-4GSFP: 1.32 W

IM-G7000A-4PoE: 5.14 W (without PD power consumption)

**Note:** A 48 VDC external power supply is required to provide power to PoE devices.

#### Physical Characteristics

**IP Rating:** IP30 protection

**Dimensions:** 28.8 x 174.7 x 166.8 mm (1.13 x 6.88 x 6.57 in)

**Weight:** 220 g (0.49 lb)

#### MTBF (mean time between failures)

**Time:**

IM-G7000A-4GTX: 1,569,520 hrs

IM-G7000A-4GSFP: 1,544,084 hrs

IM-G7000A-4PoE: 394,348 hrs

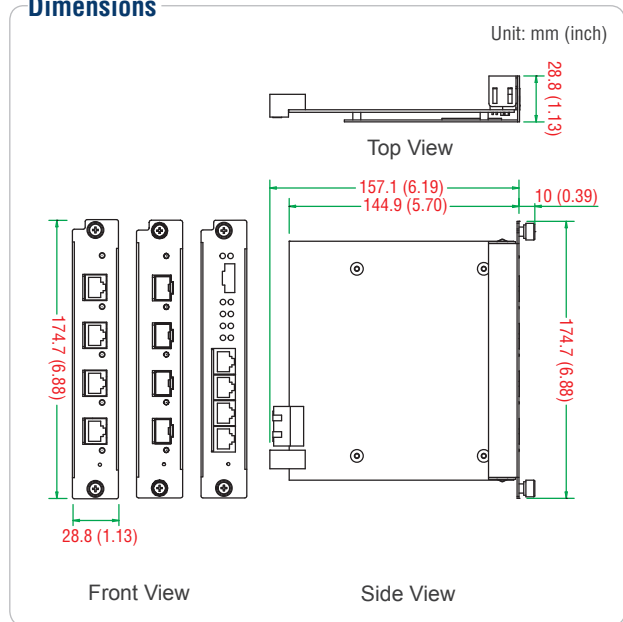
**Standard:** Telcordia (Bellcore), GB

#### Warranty

**Warranty Period:** 5 years

**Details:** See [www.moxa.com/warranty](http://www.moxa.com/warranty)

#### Dimensions



## Ordering Information

#### Available Models

**IM-G7000A-4GTX:** Gigabit Ethernet interface module with 4 10/100/1000BaseT(X) ports, -10 to 60°C operating temperature

**IM-G7000A-4GSFP:** Gigabit Ethernet interface module with 4 100/1000BaseSFP slots, -10 to 60°C operating temperature

**IM-G7000A-4PoE:** Gigabit Ethernet PoE+ interface module with 4 10/100/1000BaseT(X) ports, -10 to 60°C operating temperature

**Note:** See the SFP-1G, SFP-1G Copper, and SFP-1FE datasheets for SFP module product information.

#### Package Checklist

- IM-G7000A interface module
- Warranty card

# SFP-10G Series

## 1-port 10 Gigabit Ethernet SFP+ modules



- > Digital Diagnostic Monitor Function
- > Compliant with IEEE 802.3ae
- > SFF-8432 SFP+ MSA compliant
- > Hot pluggable LC duplex connector
- > Class 1 Laser International Safety Standard IEC 825 compliant
- > RoHS compliant



### Specifications

#### Interface

**Connectors:** Duplex LC Connector  
**10G Ethernet Ports:** 1

#### Optical Fiber

|                  |                  | 10G Ethernet SFP |             |              |              |
|------------------|------------------|------------------|-------------|--------------|--------------|
|                  |                  | SFP-SR           | SFP-LR      | SFP-ER       |              |
| Transceiver Type |                  | Multi-Mode       | Single-Mode | Single-Mode  |              |
| Fiber Cable Type |                  | OM1              | OM3         | G.652        | G.652        |
| Typical Distance |                  | 33 m             | 300 m       | 10 km        | 40 km        |
| Wave-length      | Typical (nm)     | 850              |             | 1310         | 1550         |
|                  | TX Range (nm)    | 840 to 860       |             | 1260 to 1355 | 1530 to 1565 |
|                  | RX Range (nm)    | 840 to 860       |             | 1260 to 1600 | 1260 to 1600 |
| Optical Power    | Link Budget (dB) | 1.6              | 2.6         | 6.2          | 10.9         |

Note: When connecting the SFP-ER, we recommend using an attenuator to prevent damaged caused by excessive optical power.

#### Power Requirements

**Power Consumption:** Max. 1.5 W

#### Environmental Limits

**Operating Temperature:** 0 to 60°C (32 to 176°F)

Note: When the SFP-10GERLC is used with ICS-G7750A/G7752A/G7850A/G7852A series, operating temperature is 0 to 55°C (32 to 131°F).

**Storage Temperature:** -40 to 85°C (-40 to 185°F)

**Ambient Relative Humidity:** 5 to 95% (non-condensing)

#### Standards and Certifications

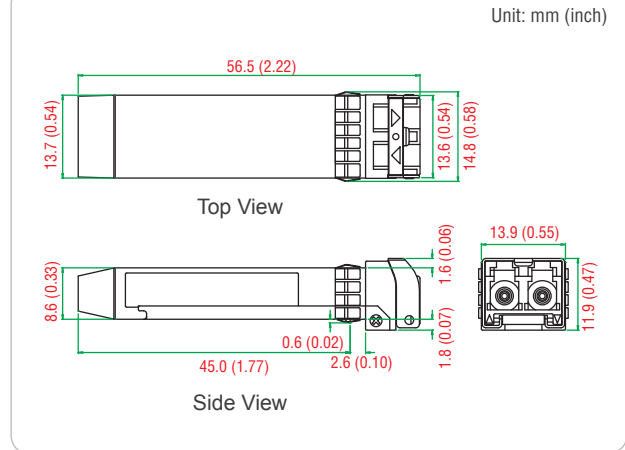
**Safety:** CE, FCC, TÜV, UL 60950-1

#### Warranty

**Warranty Period:** 5 years

**Details:** See [www.moxa.com/warranty](http://www.moxa.com/warranty)

#### Dimensions



### Ordering Information

#### Available Models

**SFP-10GSR:** SFP+ module with 1 10GBase-SR port for 33 m transmission, LC connector, 0 to 60°C operating temperature

**SFP-10GLRLC:** SFP+ module with 1 10GBase-LR port for 10 km transmission, LC connector, 0 to 60°C operating temperature

**SFP-10GERLC:** SFP+ module with 1 10GBase-ER port for 40 km transmission, LC connector, 0 to 60°C operating temperature

#### Package Checklist

- SFP-10G module
- Warranty card

# SFP-1G Series

## 1-port Gigabit Ethernet SFP modules



- > Digital Diagnostic Monitor Function
- > -40 to 85°C operating temperature range (T models)
- > IEEE 802.3z compliant
- > Differential LVPECL inputs and outputs
- > TTL signal detect indicator
- > Hot pluggable LC duplex connector
- > Class 1 laser product, complies with EN 60825-1



### Specifications

#### Interface

Ethernet Ports: 1

Connectors: Duplex LC Connector or Simplex LC Connector (WDM-type only)

#### Optical Fiber

|                  |                         | Gigabit Ethernet SFP |       |              |      |              |              |              |              |              |              |
|------------------|-------------------------|----------------------|-------|--------------|------|--------------|--------------|--------------|--------------|--------------|--------------|
|                  |                         | SFP-SX               |       | SFP-LSX      |      | SFP-LX       | SFP-LH       | SFP-LHX      | SFP-ZX       | SFP-EZX      | SFP-EZX-120  |
| Transceiver Type |                         | Multi-Mode           |       | Multi-Mode   |      | Single-Mode  | Single-Mode  | Single-Mode  | Single-Mode  | Single-Mode  | Single-Mode  |
| Fiber Cable Type |                         | OM1                  | OM2   | OM2          | OM1  | G.652        | G.652        | G.652        | G.652        | G.652        | G.652        |
| Typical Distance |                         | 300 m                | 550 m | 1 km         | 2 km | 10 km        | 30 km        | 40 km        | 80 km        | 110 km       | 120 km       |
| Wave-length      | Typical (nm)            | 850                  |       | 1310         |      | 1310         | 1310         | 1310         | 1550         | 1550         | 1550         |
|                  | TX Range (nm)           | 830 to 860           |       | 1270 to 1355 |      | 1280 to 1355 | 1280 to 1355 | 1280 to 1340 | 1530 to 1570 | 1530 to 1570 | 1530 to 1570 |
|                  | RX Range (nm)           | 770 to 860           |       | 1260 to 1610 |      | 1260 to 1610 | 1260 to 1610 | 1260 to 1610 | 1260 to 1610 | 1260 to 1610 | 1100 to 1600 |
| Optical Power    | TX Range (dBm)          | -4 to -9.5           |       | -1 to -9     |      | -3 to -9     | -3 to -8     | +3 to -4     | +5 to 0      | +5 to 0      | +3 to -2     |
|                  | RX Range (dBm)          | 0 to -18             |       | -1 to -19    |      | -3 to -21    | -3 to -23    | -1 to -24    | -1 to -24    | -9 to -30    | -8 to -33    |
|                  | Link Budget (dB)        | 8.5                  |       | 10           |      | 12           | 15           | 20           | 24           | 30           | 31           |
|                  | Dispersion Penalty (dB) | 4.3                  | 3.6   | 5            | 5    | 1            | 1            | 1            | 1            | 1            | 2            |

Note: When connecting the SFP-LHX, ZX, EZX, or EZX-120, we recommended using an attenuator to prevent the transceiver from being damaged by excessive optical power.

|                  |                         | WDM Gigabit Ethernet SFP |  |                  |             |                  |             |                  |         |
|------------------|-------------------------|--------------------------|--|------------------|-------------|------------------|-------------|------------------|---------|
|                  |                         | SFP-10A                  |  | SFP-10B          | SFP-20A     |                  | SFP-20B     | SFP-40A          | SFP-40B |
| Transceiver Type |                         | Single-Mode              |  |                  | Single-Mode |                  | Single-Mode |                  |         |
| Fiber Cable Type |                         | G.652                    |  |                  | G.652       |                  | G.652       |                  |         |
| Typical Distance |                         | 10 km                    |  |                  | 20 km       |                  | 40 km       |                  |         |
| Wave-length      | Typical (nm)            | TX 1310, RX 1550         |  | TX 1550, RX 1310 |             | TX 1310, RX 1550 |             | TX 1550, RX 1310 |         |
|                  | TX Range (nm)           | 1270 to 1355             |  | 1530 to 1570     |             | 1270 to 1355     |             | 1530 to 1570     |         |
|                  | RX Range (nm)           | 1480 to 1580             |  | 1260 to 1360     |             | 1480 to 1580     |             | 1260 to 1360     |         |
| Optical Power    | TX Range (dBm)          | -3 to -9                 |  |                  | -2 to -8    |                  |             | +2 to -3         |         |
|                  | RX Range (dBm)          | -3 to -21                |  |                  | -2 to -23   |                  |             | -1 to -23        |         |
|                  | Link Budget (dB)        | 12                       |  |                  | 15          |                  |             | 20               |         |
|                  | Dispersion Penalty (dB) | 2                        |  |                  | 3           |                  |             | 1                |         |

Note: WDM-type SFP modules must be used in pairs (e.g., SFP-1G10ALC and SFP-1G10BLC)

Note: When connecting the SFP-40A and 40B, we recommend using an attenuator to prevent damage caused by excessive optical power.

**Typical Distance:** To reach the typical distance of specified fiber transceiver, please refer to formula: Link budget(dB) > dispersion penalty(dB) + total link loss(dB).

### Power Requirements

Power Consumption: Max. 1 W

### Environmental Limits

#### Operating Temperature:

Standard Models: 0 to 60°C (32 to 140°F)

Wide Temp. Models: -40 to 85°C (-40 to 185°F)

Storage Temperature: -40 to 85°C (-40 to 185°F)

Ambient Relative Humidity: 5 to 95% (non-condensing)

### Standards and Certifications

Safety: CE, FCC, TÜV (EN 60825), UL 60950-1

Marine: DNV, GL

### Warranty

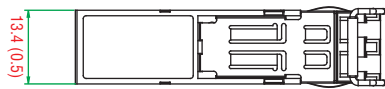
Warranty Period: 5 years

Details: See [www.moxa.com/warranty](http://www.moxa.com/warranty)

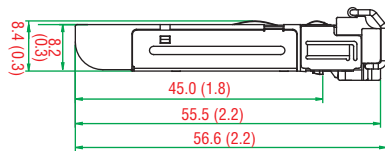
### Dimensions

Unit: mm (inch)

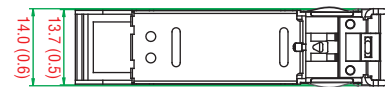
#### SFP-1G Series



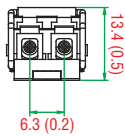
Top View



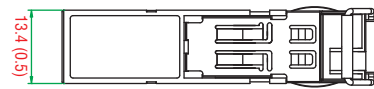
Side View



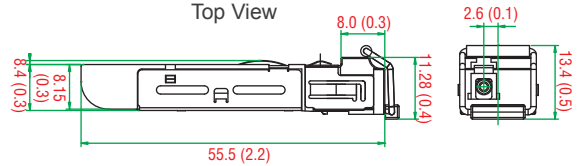
Rear View



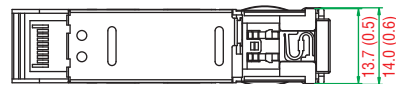
#### SFP-1G Series (WDM Type)



Top View



Side View



Rear View

## Ordering Information

| Gigabit Ethernet SFP Models             |                                       |                 |                  | WDM Gigabit Ethernet SFP Models  |                                |                 |                  |
|---|---------------------------------------|-----------------|------------------|----------------------------------|--------------------------------|-----------------|------------------|
| Standard Temperature Models (0 to 60°C) | Wide Temperature Models (-40 to 85°C) | Tranceiver Type | Typical Distance | Standard Temperature (0 to 60°C) | Wide Temperature (-40 to 85°C) | Tranceiver Type | Typical Distance |
| SFP-1GSXLC                              | SFP-1GSXLC-T*                         | Multi-Mode      | 300/550 m        | SFP-1G10ALC                      | SFP-1G10ALC-T                  | Single-Mode     | 10 km            |
| SFP-1GLSXLC                             | SFP-1GLSXLC-T                         | Multi-Mode      | 1/2 km           | SFP-1G10BLC                      | SFP-1G10BLC-T                  | Single-Mode     | 10 km            |
| SFP-1GLXLC                              | SFP-1GLXLC-T                          | Single-Mode     | 10 km            | SFP-1G20ALC                      | SFP-1G20ALC-T                  | Single-Mode     | 20 km            |
| SFP-1GLHLC                              | SFP-1GLHLC-T                          | Single-Mode     | 30 km            | SFP-1G20BLC                      | SFP-1G20BLC-T                  | Single-Mode     | 20 km            |
| SFP-1GLHXLC                             | SFP-1GLHXLC-T                         | Single-Mode     | 40 km            | SFP-1G40ALC                      | SFP-1G40ALC-T                  | Single-Mode     | 40 km            |
| SFP-1GZXLC                              | SFP-1GZXLC-T                          | Single-Mode     | 80 km            | SFP-1G40BLC                      | SFP-1G40BLC-T                  | Single-Mode     | 40 km            |
| SFP-1GEZXLC                             | -                                     | Single-Mode     | 110 km           | -                                | -                              | -               | -                |
| SFP-1GEZXLC-120                         | -                                     | Single-Mode     | 120 km           | -                                | -                              | -               | -                |

\*SFP-1GSXLC-T: -20 to 75°C operating temperature

### Package Checklist

- SFP-1G module
- Warranty card

# SFP-1G Copper Series

## 1-port Gigabit Ethernet copper SFP modules



- > Compliant with IEEE 802.3,2002
- > Fixed 1000 BASE-T speed
- > Hot pluggable RJ45 connector
- > TTL signal detection (RX los)
- > RoHS compliant and lead free



### Specifications

#### Interface

Connectors: RJ45

The port can not be used for Turbo Ring v1, Turbo Ring v2, and Turbo Chain.

Gigabit Ethernet Ports: 1

#### Power Requirements

Power Consumption: Max. 1.2 W

#### Environmental Limits

Operating Temperature: -40 to 75°C (-40 to 167°F)

Storage Temperature: -40 to 85°C (-40 to 185°F)

Ambient Relative Humidity: 5 to 95% (non-condensing)

#### Standards and Certifications

Safety: CE, FCC, TÜV, UL 60950-1

Marine: DNV, GL

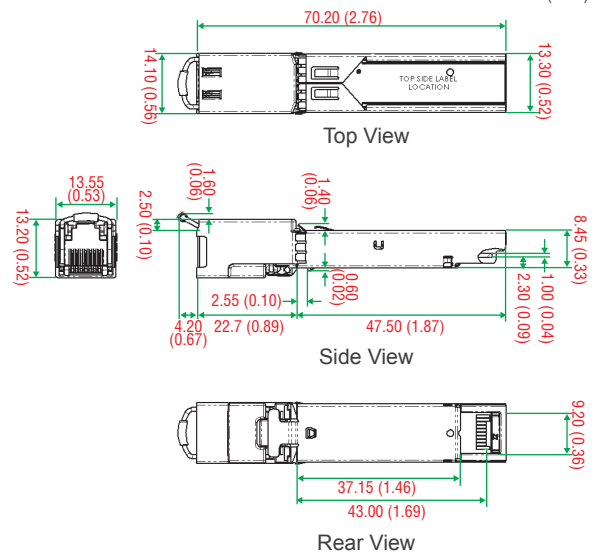
#### Warranty

Warranty Period: 5 years

Details: See [www.moxa.com/warranty](http://www.moxa.com/warranty)

### Dimensions

Unit: mm (inch)



### Ordering Information

#### Available Models

SFP-1GTXRJ45-T: SFP module with fixed 1000BaseT port, RJ45 connector, -40 to 75°C operating temperature

#### Package Checklist

- SFP-1G copper module
- Warranty card



# SFP-1FE Series

## 1-port Fast Ethernet SFP modules



- > Digital Diagnostic Monitor Function
- > IEEE 802.3u compliant
- > Differential PECL inputs and outputs
- > TTL signal detect indicator
- > Hot pluggable LC duplex connector
- > Class 1 laser product; complies with EN 60825-1



### Specifications

#### Interface

Ethernet Ports: 1

Connectors: Duplex LC Connector

#### Optical Fiber

|                  | Fast Ethernet SFP       |                          |              |              |
|------------------|-------------------------|--------------------------|--------------|--------------|
|                  | SFP-M                   |                          | SFP-S        | SFP-L        |
| Transceiver Type | Multi-Mode              |                          | Single-Mode  |              |
| Fiber Cable Type | OM1/OM2                 | 62.5/125, 50/125 $\mu$ m | G.652        | G.652        |
|                  |                         | 800 MHz* km              |              |              |
| Typical Distance | 2 km                    | 4 km                     | 40 km        | 80 km        |
| Wave-length      | Typical (nm)            | 1310                     | 1310         | 1550         |
|                  | TX Range (nm)           | 1280 to 1340             | 1280 to 1340 | 1530 to 1570 |
|                  | RX Range (nm)           | 1100 to 1650             | 1100 to 1600 | 1100 to 1600 |
| Optical Power    | TX Range (dBm)          | -8 to -18                | 0 to -5      | 0 to -5      |
|                  | RX Range (dBm)          | -3 to -32                | -3 to -34    | -3 to -34    |
|                  | Link Budget (dB)        | 14                       | 29           | 29           |
|                  | Dispersion Penalty (dB) | 2                        | 3            | 1            |

Note: When connecting the SFP-S or L, we recommend using an attenuator to prevent damage caused by excessive optical power.

#### Power Requirements

Power Consumption: Max. 1 W

#### Environmental Limits

Operating Temperature: -40 to 85°C (-40 to 185°F)

Storage Temperature: -40 to 85°C (-40 to 185°F)

Ambient Relative Humidity: 5 to 95% (non-condensing)

#### Standards and Certifications

Safety: CE, FCC, TÜV, UL 60950-1

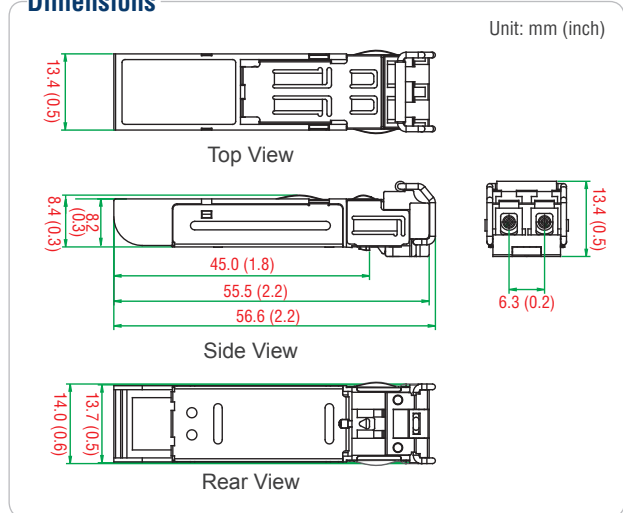
Marine: DNV, GL

#### Warranty

Warranty Period: 5 years

Details: See [www.moxa.com/warranty](http://www.moxa.com/warranty)

#### Dimensions



### Ordering Information

| Available Models | Port Interface                 |   |   |   |
|------------------|--------------------------------|---|---|---|
|                  | Wide Temperature (-40 to 85°C) | 100BaseFX, Multi-Mode, LC Connector, 4 km | 100BaseFX, Single-Mode, LC Connector, 40 km | 100BaseFX, Single-Mode, LC Connector, 80 km |
| SFP-1FEMLC-T     |                                | 1   | -   | -   |
| SFP-1FESLC-T     |                                | -   | 1   | -   |
| SFP-1FELLC-T     |                                | -   | -   | 1   |

#### Package Checklist

- SFP-1FE module
- Warranty card